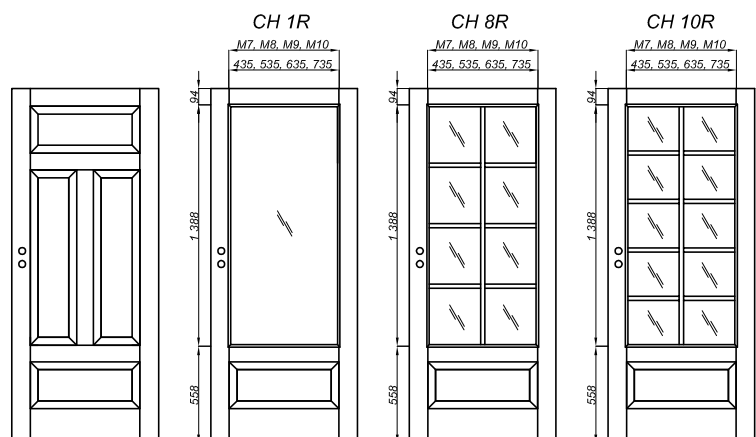
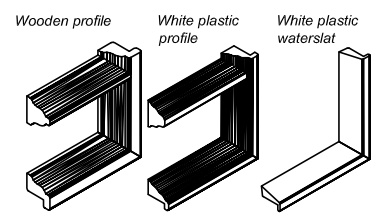
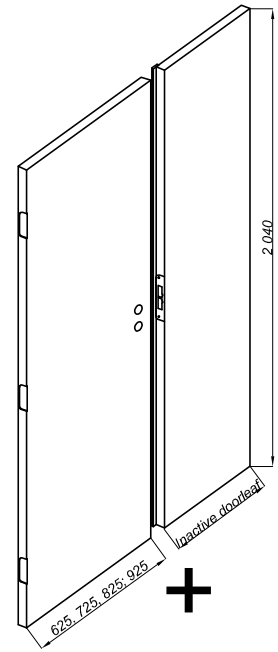
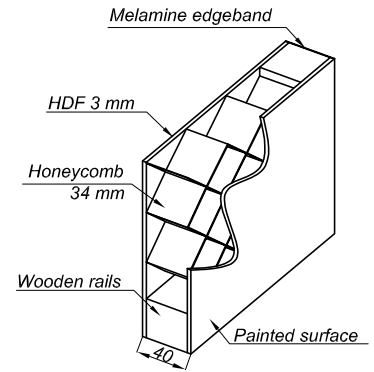


Moulded door "CHRISTIAN"

	Standard	Possible extras
Door decoration:	Moulded HDF 3 mm (4P SYM SM) Christian	
Door leaf finish:	White paint (NCS S 0502-Y)	Tinting systems Monicolor, Symphony, Tintorama, RAL, Rautaruuki catalogues.
Frame:	without frame	Frame Frame with gasket
Locking system:	Lockcase: 2014(epox) Suitable striking plate: 0045 (epox)	Lockcase: 2018, 565, 310, 4190 või LC 100 Suitable striking plate: 0045/0034, 2864-2, 1264-1, 4690
Flushpolt:	1238 CR	849 CR
Hinges:	6540 white	6540 (epox, grey) 2465 (white)
Glass opening:	see drawing	
Glazing bar:	1R - white plastic waterslat 6R, 10R - white plastic profile	wooden profile, painted or stained
Glass:	4 mm - clear float	4 mm - decorative
Dimensions:	Single-leaf M7, 8, 9, 10 x M21 Double-leaf M13,3; 15,3; 17,3; 19,3 x M21	
Ironmongery:	Key (fixed to lock 2014)	Ventilation latch, plastic (white, brown) Handle (white, MS, CR) Cylinder cover (white, MS, CR)
Package:	Door leaves packed separately in plastic bag. Doors are packed horizontally, every different dimension on separate pallet (35 pcs)	
Use:	Door is intended for use in heated working and living premises. Door cannot be stored or installed in places with large temperature fluctuations or danger of humidity.	Upon increase of humidity resistance the door will stand short-term stay in conditions with high relative air humidity (RH=up to 100%), after which intensive air exchange must take place in the room, to lower relative humidity to normal level (RH=30%-50%) Door is not suitable for use in swimming pools, shower rooms in constant use, as inner doors of sauna, washing rooms in public use etc.
	Door is not suitable for use in outdoor conditions and between rooms with different air temperatures.	



Measurements of glass opening, given on drawing, size of glass -5 mm